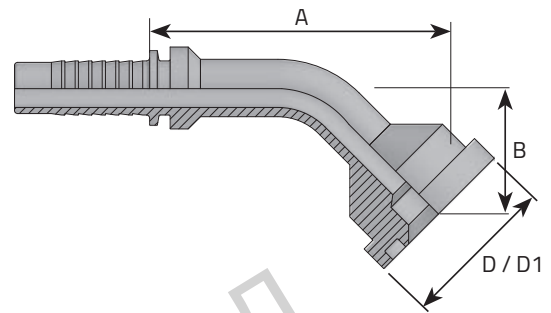




FLANGE CODE 61 - 3000 PSI - 45° ELBOW

FLANGIA 45° SAE J518 3000 PSI INTERA
 BRIDE 45° 3000 PSI (PIÈCE ENTIER)
 45° FLANSCHANSCHLUSS 3000 PSI – EINTEILIG
 BRIDA A 45° 3000 PSI (PIEZA UNICA)

* komatsu flange / Flangia Komatsu/ Bride komatsu /
 Flange komatsu / Brida komatsu
 Do Not Include O-Ring / O-Ring Non Compresso /
 Sans O-Ring / Ohne O-Ring/ Sin O-Ring



Code	Tube			Thread	Dimensions				Pressure	
	D.N.	Hose	Diam		D	D1	B	A	Bar	Psi
	Inch	Inch	mm		Inch	mm	mm	mm		
F45L0808I	-8	1/2"	12.8	1/2"	30.2	23	63	350	5076	
* F45L0810I	-8	1/2"	12.8	5/8"	34	25	68	350	5076	
F45L0812I	-8	1/2"	12.8	3/4"	38.1	28	68	350	5076	
F45L1008I	-10	5/8"	16	1/2"	30.2	26	59	350	5076	
* F45L1010I	-10	5/8"	16	5/8"	34	30	63	350	5076	
F45L1012I	-10	5/8"	16	3/4"	38.1	30	63	350	5076	
F45L1208I	-12	3/4"	19	1/2"	30.2	28	63	350	5076	
F45L1212I	-12	3/4"	19	3/4"	38.1	32	67	350	5076	
F45L1216I	-16	3/4"	25.4	1"	44.5	35	70	350	5076	
F45L1612I	-16	1"	25.4	3/4"	38.1	35x	83	280	4061	
F45L1616I	-16	1"	25.4	1"	44.5	32	86	280	4061	
F45L1620I	-16	1"	25.4	1.1/4"	50.8	36	90	280	4061	
F45L2016I	-20	1.1/4"	31.8	1"	44.5	36	96	210	3046	
F45L2020I	-20	1.1/4"	31.8	1.1/4"	50.8	43	100	210	3046	
F45L2024I	-20	1.1/4"	31.8	1.1/2"	60.3	44	101	210	3046	
F45L2424I	-24	1.1/2"	38.1	1.1/2"	60.3	41	112	185	2683	
F45L2432I	-24	1.1/2"	38.1	2"	71.4	52	123	185	2683	
F45L3232I	-32	2"	50.8	2"	71.4	59	148	170	2466	